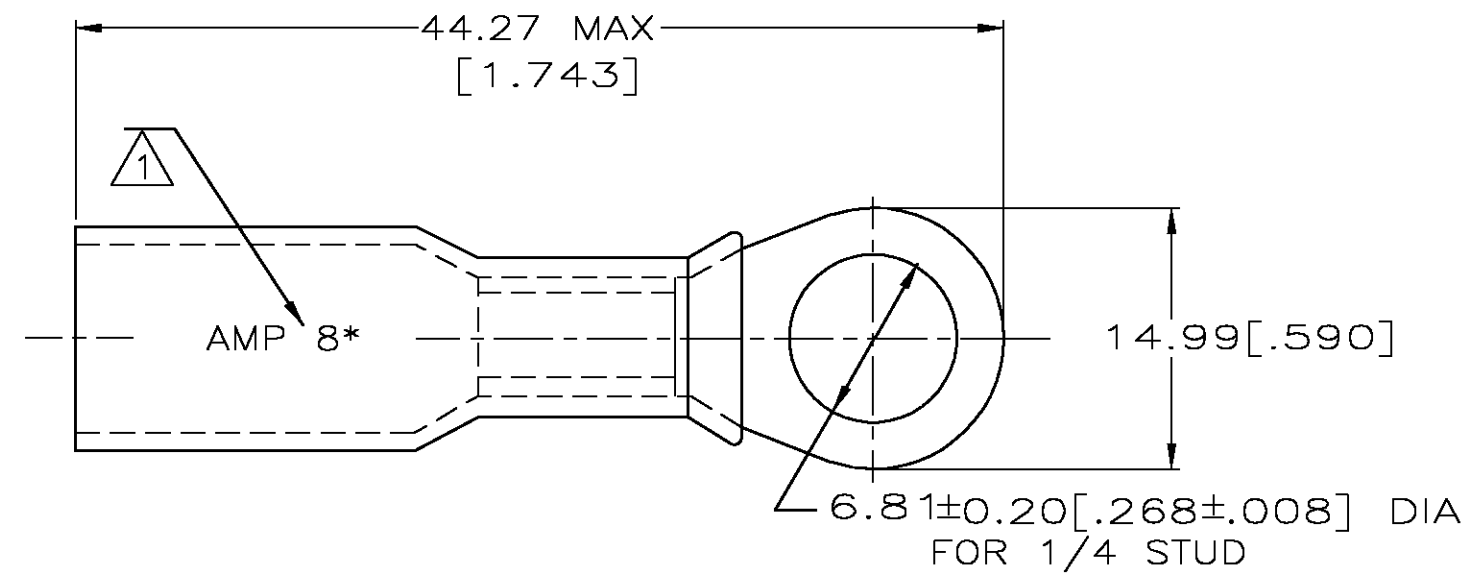


THIS DRAWING IS UNPUBLISHED. RELEASED FOR PUBLICATION .19
 © COPYRIGHT 19 BY AMP INCORPORATED. ALL INTERNATIONAL RIGHTS RESERVED.

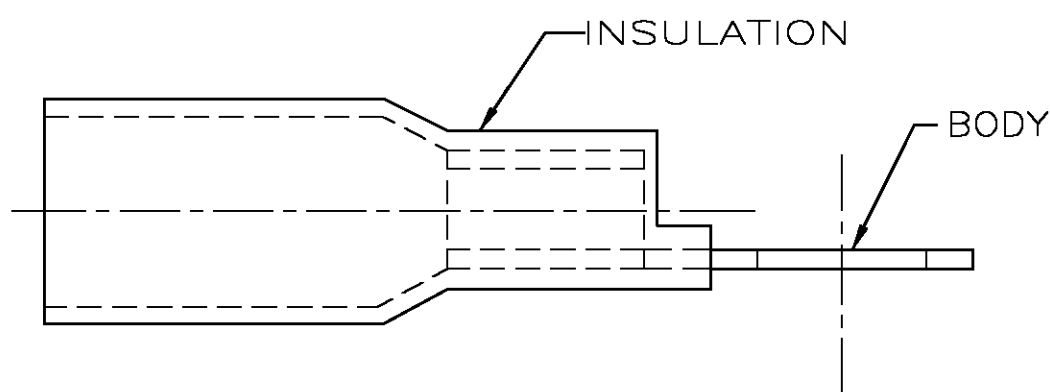
LOC	DIST	P	F	REVISIONS			DATE	APPD
G	14			ZONE	LTR	DESCRIPTION		
					B	REV PER 0G3A-0001-03	07JAN03	JR ME

AMP WIRE RANGE	Listed	Certified
8 AWG STRANDED	8 AWG STRANDED	8 AWG STRANDED

METRIC
 DIMENSIONS LISTED IN mm [INCHES]



- NOTES:
- 1 STAMP AMP 8* APPROX AS SHOWN
 2. WIRE INSULATION DIA 7.87mm [.310] MAX
 3. TONGUE MATERIAL THK 1.14±0.05mm [.045±.002]



AMP INCORPORATED CUSTOMER SERVICE SYSTEMS		MAX RECOMMENDED OPERATING TEMPERATURE: 125° C MAX	DO NOT SCALE PRINT. UNLESS SPECIFIED DIMENSIONS IN mm [INCHES] TOLERANCES ON: 2 PLC DEC ± 0.20[.008] 3 PLC DEC ± - ANGLES ± -	DR 6/93 S S GOULDEN	10	LOOSE PIECE	8-55863-5
FOR ADDITIONAL PRODUCT INFORMATION OR COPIES OF DRAWINGS AND TECHNICAL DOCUMENTS	PRODUCT INFORMATION CENTER 1-800-522-6752	VOLTAGE RATING: 600V MAX (BUILDING WIRING) 1000V MAX (FIXTURES & SIGNS)	MATERIAL BODY: ETP COPPER INSULATION: POLYOLEFIN COLOR: RED	CHK 6/93 R HERSEY	100	LOOSE PIECE	55863-1
FOR APPLICATION TOOLING INFORMATION	TOOLING ASSISTANCE CENTER 1-800-722-1111	CIRCULAR MIL AREA: 6.64-10.54mm ² [13100-20800] STRANDED	FINISH EDP TIN PLATED	APPD 6/93 B BARE	QTY	PACKAGE TYPE	PART NO
FOR ORDER ENTRY	1-800-526-5142	THIS DRAWING IS A CONTROLLED DOCUMENT FOR AMP INCORPORATED. IT IS SUBJECT TO CHANGE AND THE CONTROLLING ENGINEERING ORGANIZATION SHOULD BE CONTACTED FOR THE LATEST REVISION.		APPD 6/93 M ELLIS			
				PRODUCT SPEC			
				APPLICATION SPEC			
				WEIGHT			
				NAME			
				AMP AMP Incorporated Harrisburg, PA 17105-3608			
				TERMINAL, RING TONGUE, SEALABLE HEAT SHRINKABLE			
				SIZE			
				B			
				CAGE CODE			
				00779			
				DRAWING NO			
				C-55863			
				SCALE			
				NTS			
				SHEET			
				1 OF 1			